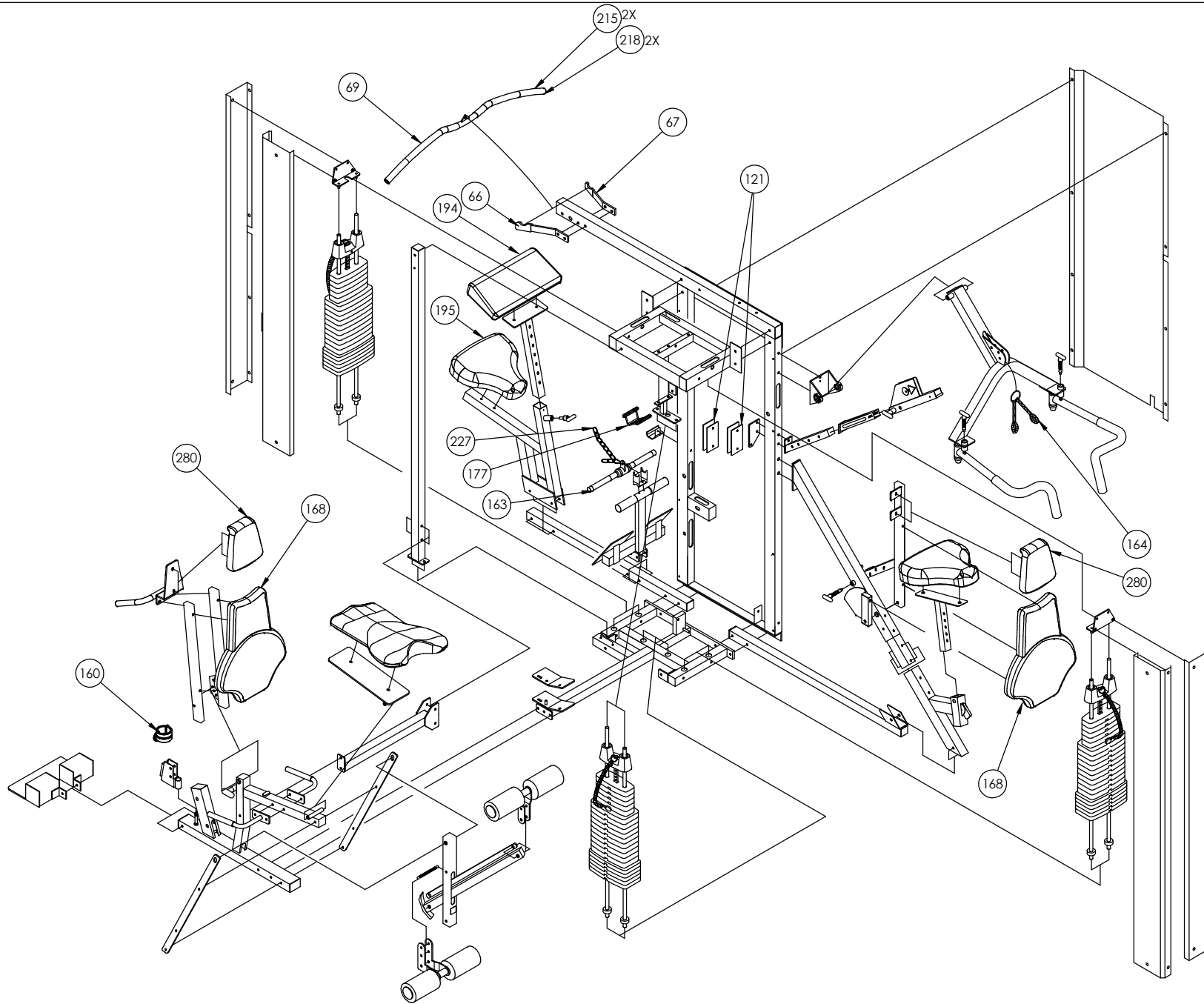


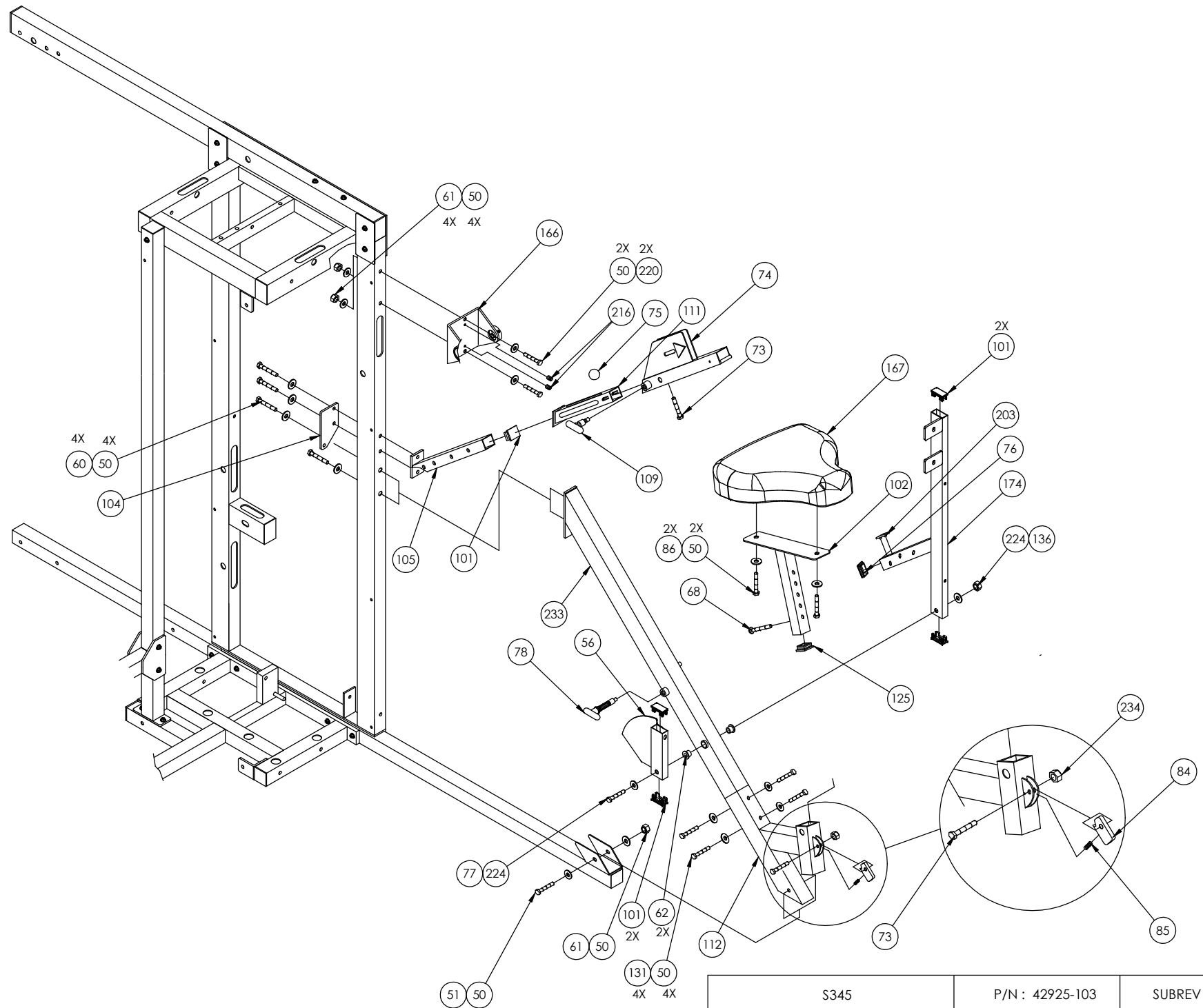
S345	P/N : 42925-103	SUBREV : K
DRAWN BY : C THOMSON	DATE : 02 APR 2012	SHEET 1 OF 14



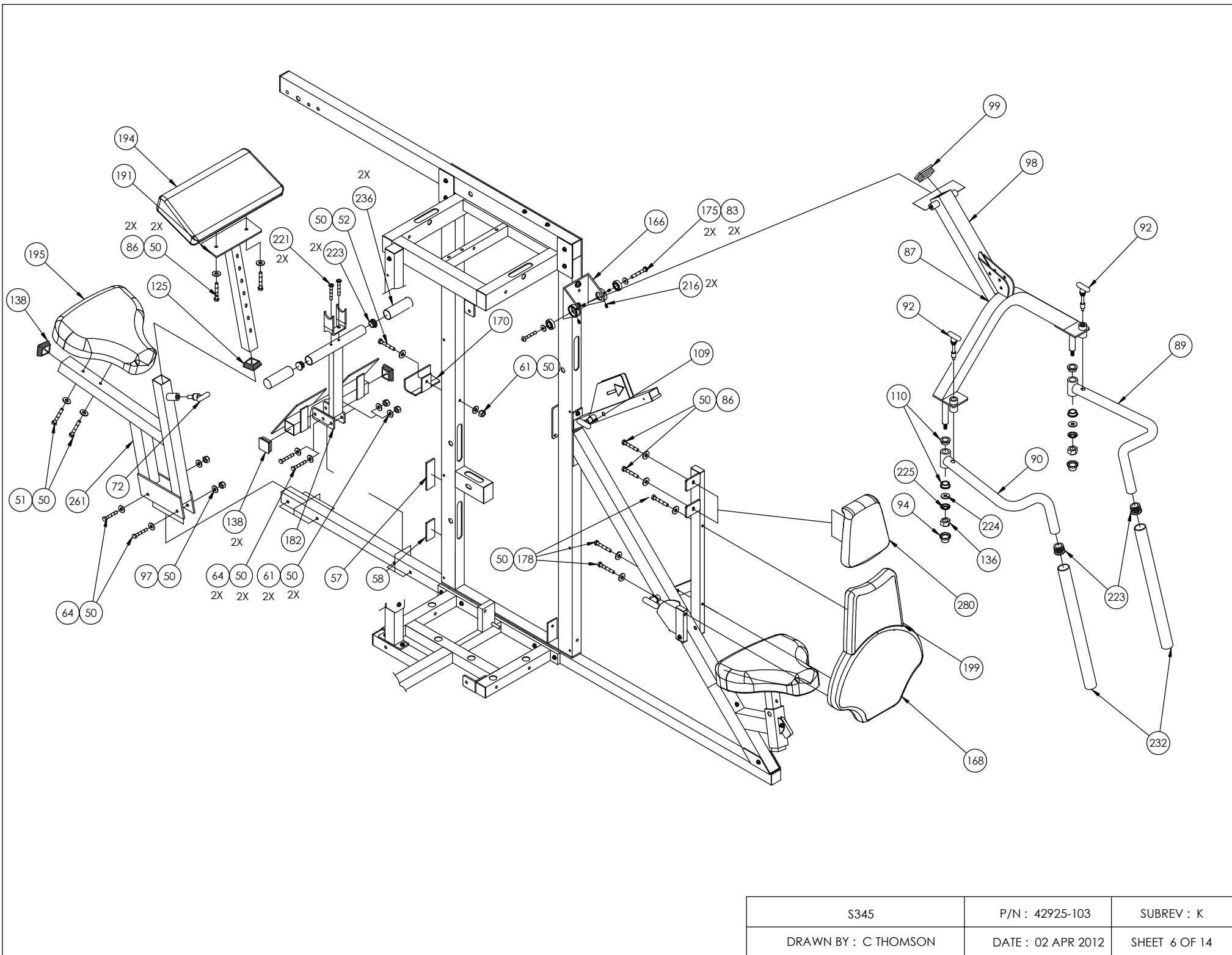
S345	P/N : 42925-103	SUBREV : K
DRAWN BY : C THOMSON	DATE : 02 APR 2012	SHEET 2 OF 14



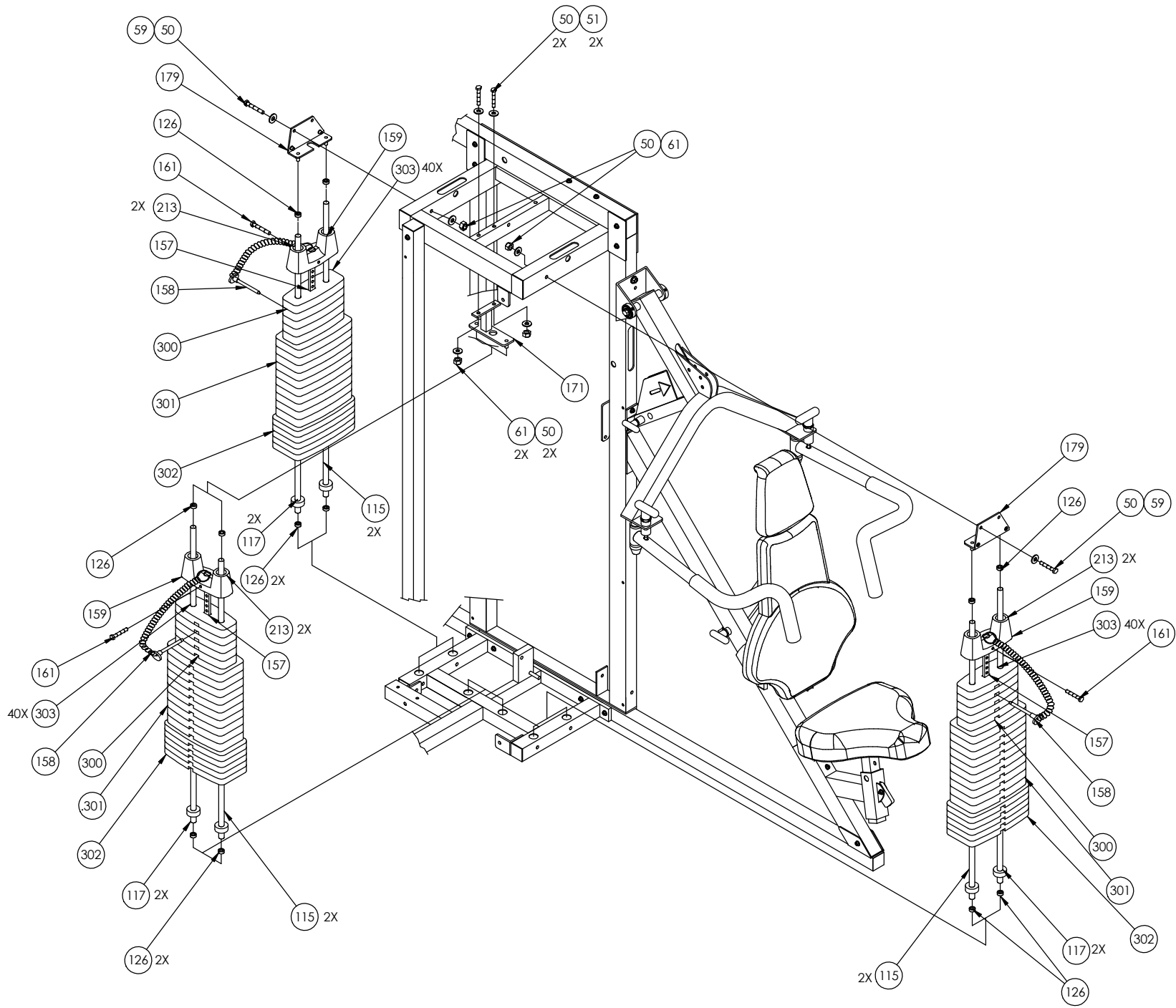




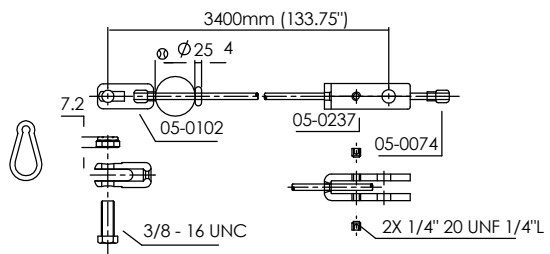
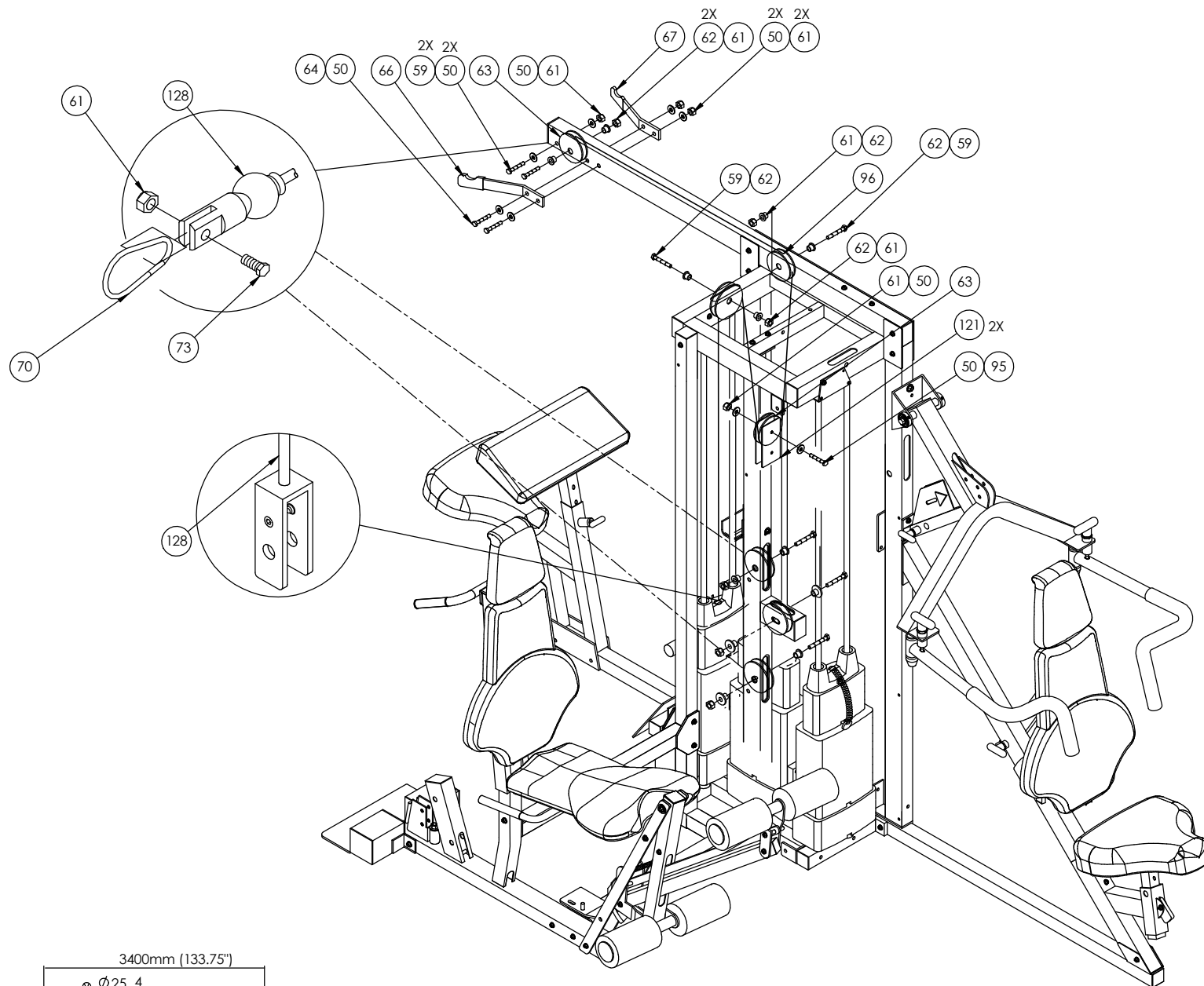
S345	P/N : 42925-103	SUBREV : K
DRAWN BY : C THOMSON	DATE : 02 APR 2012	SHEET 5 OF 14



S345	P/N : 42925-103	SUBREV : K
DRAWN BY : C THOMSON	DATE : 02 APR 2012	SHEET 6 OF 14

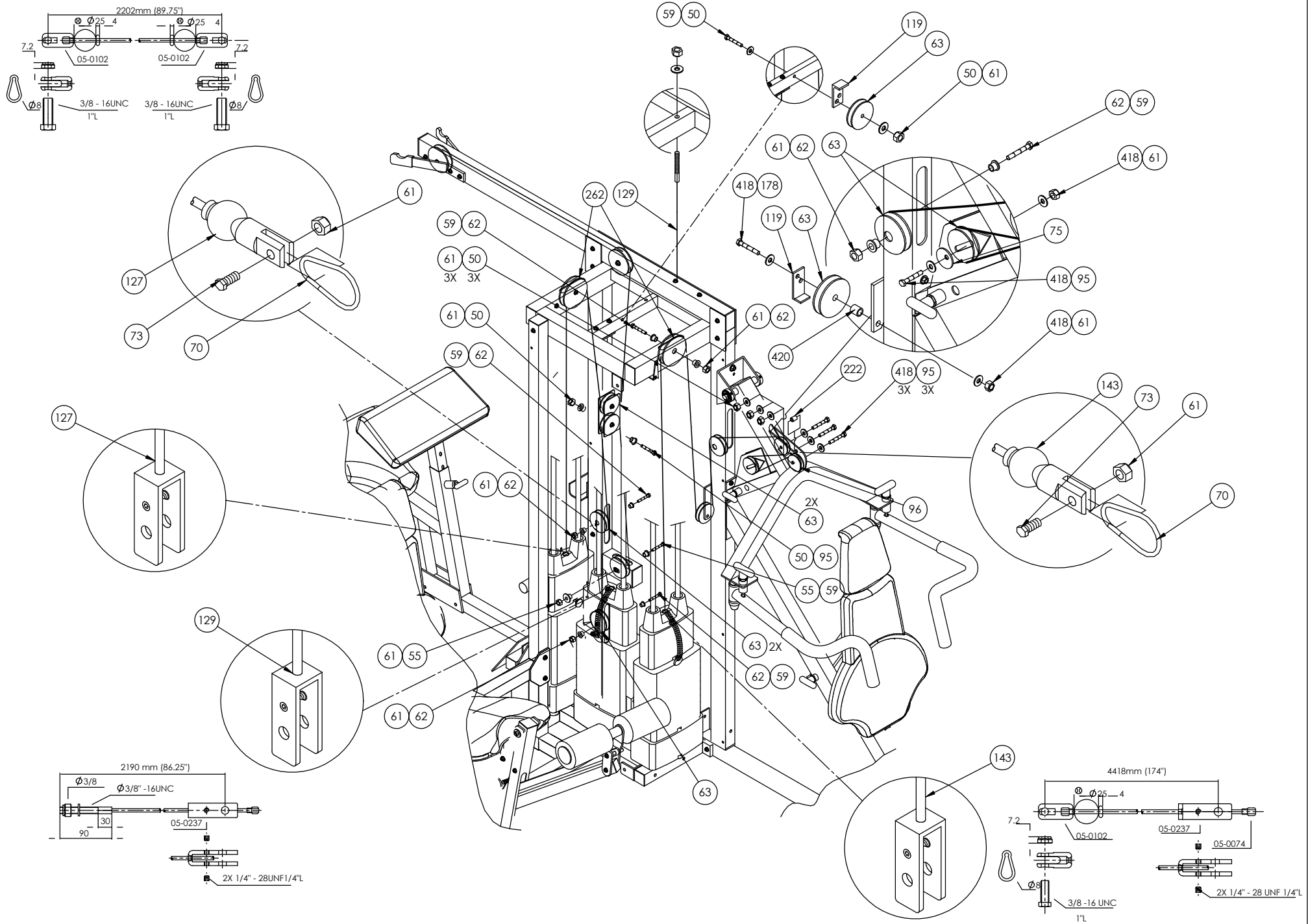


S345	P/N : 42925-103	SUBREV : K
DRAWN BY : C THOMSON	DATE : 02 APR 2012	SHEET 7 OF 14



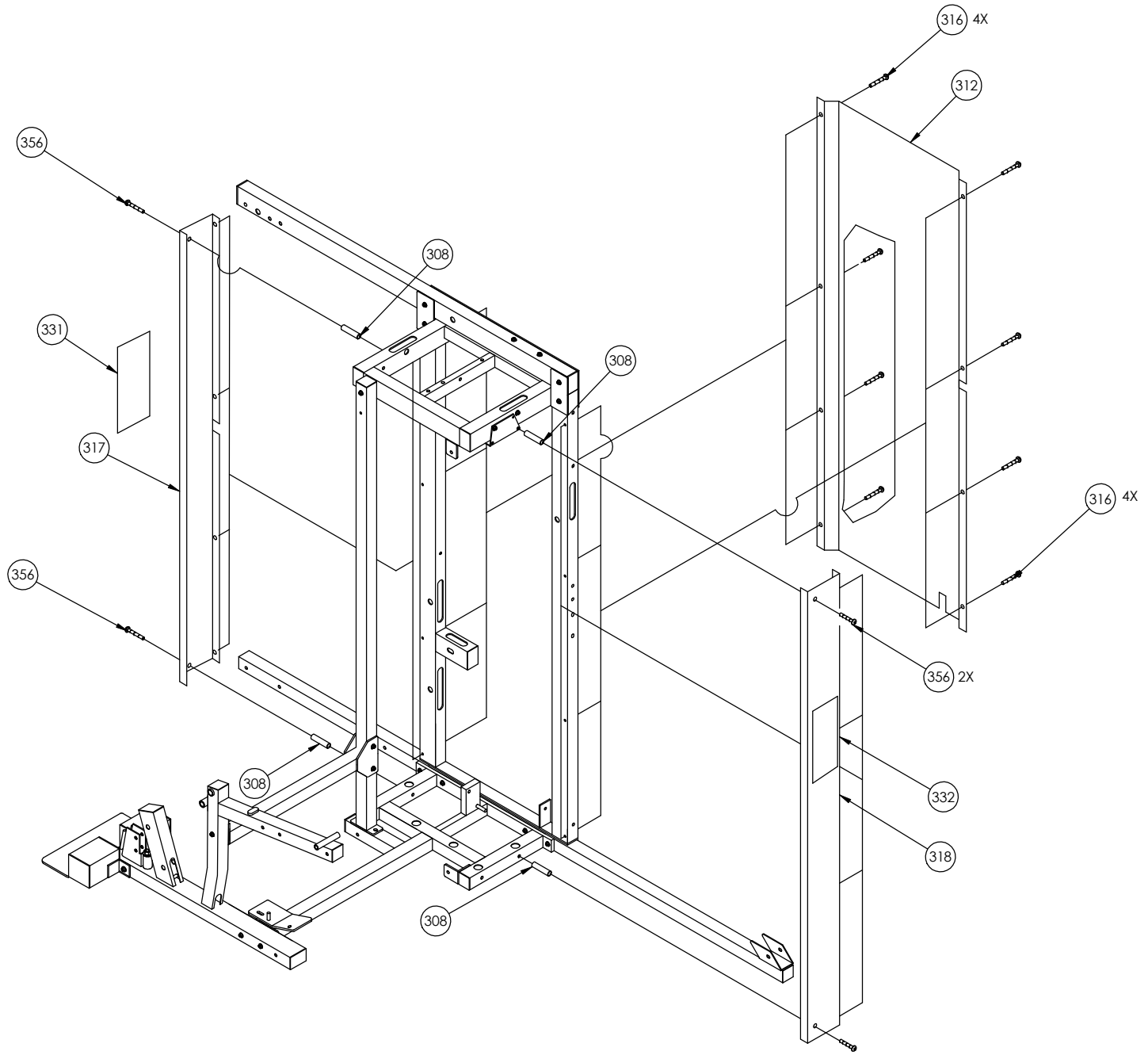
S345	P/N : 42925-103	SUBREV : K
DRAWN BY : C THOMSON	DATE : 02 APR 2012	SHEET 8 OF 14



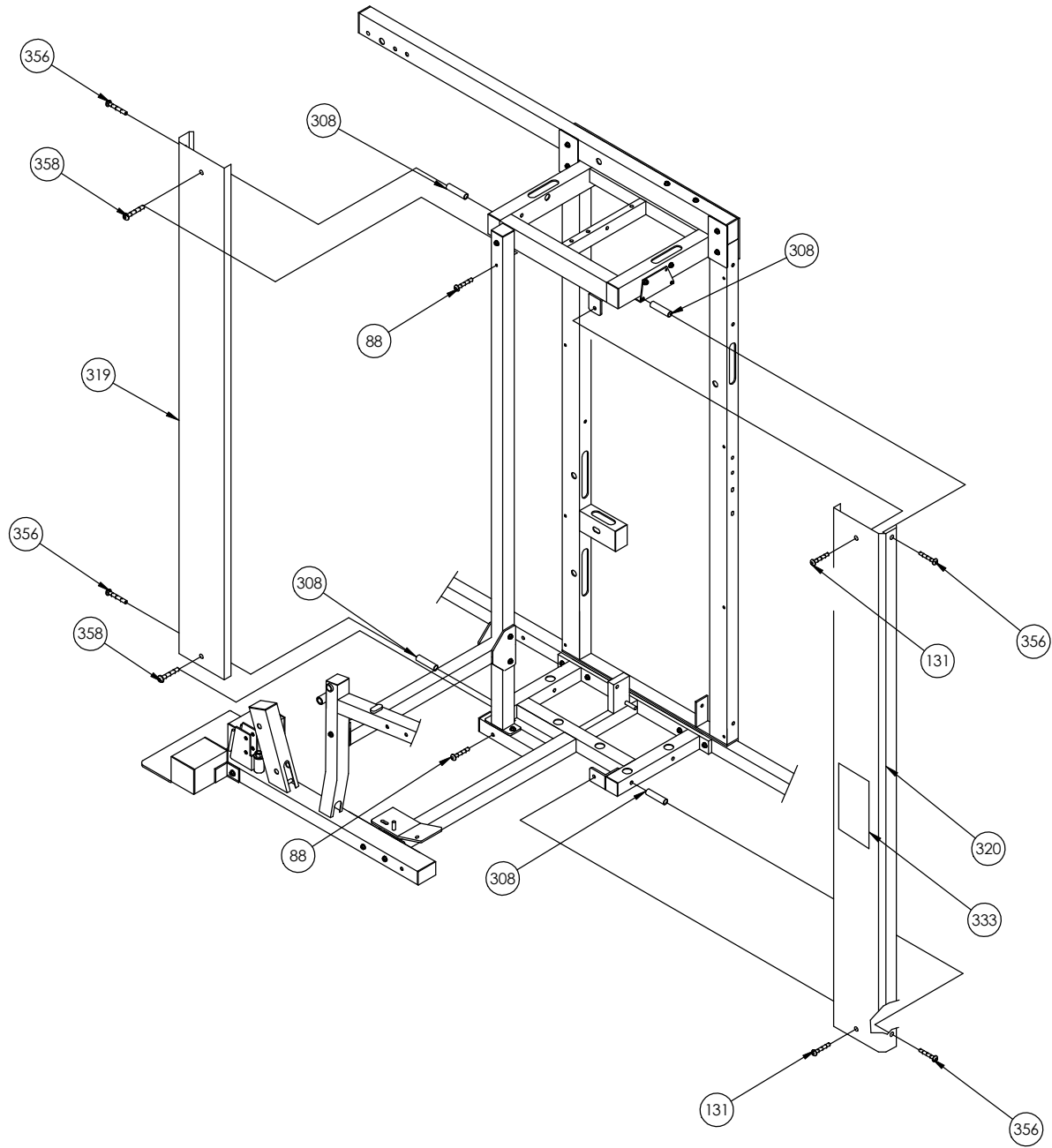


S345	P/N : 42925-103	SUBREV : K
DRAWN BY : C THOMSON	DATE : 02 APR 2012	SHEET 9 OF 14

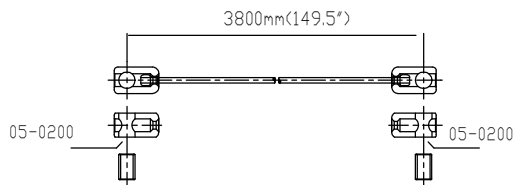
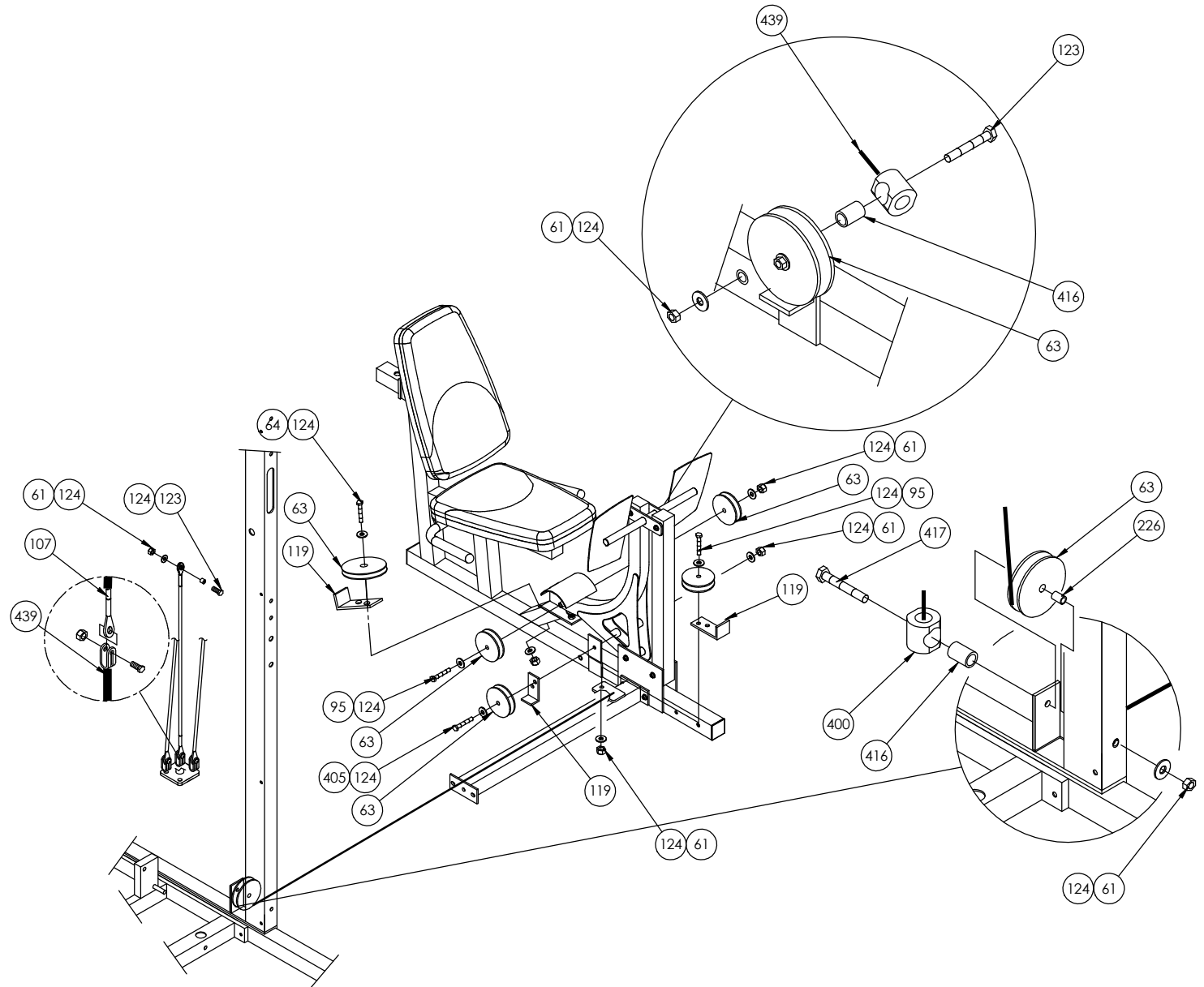




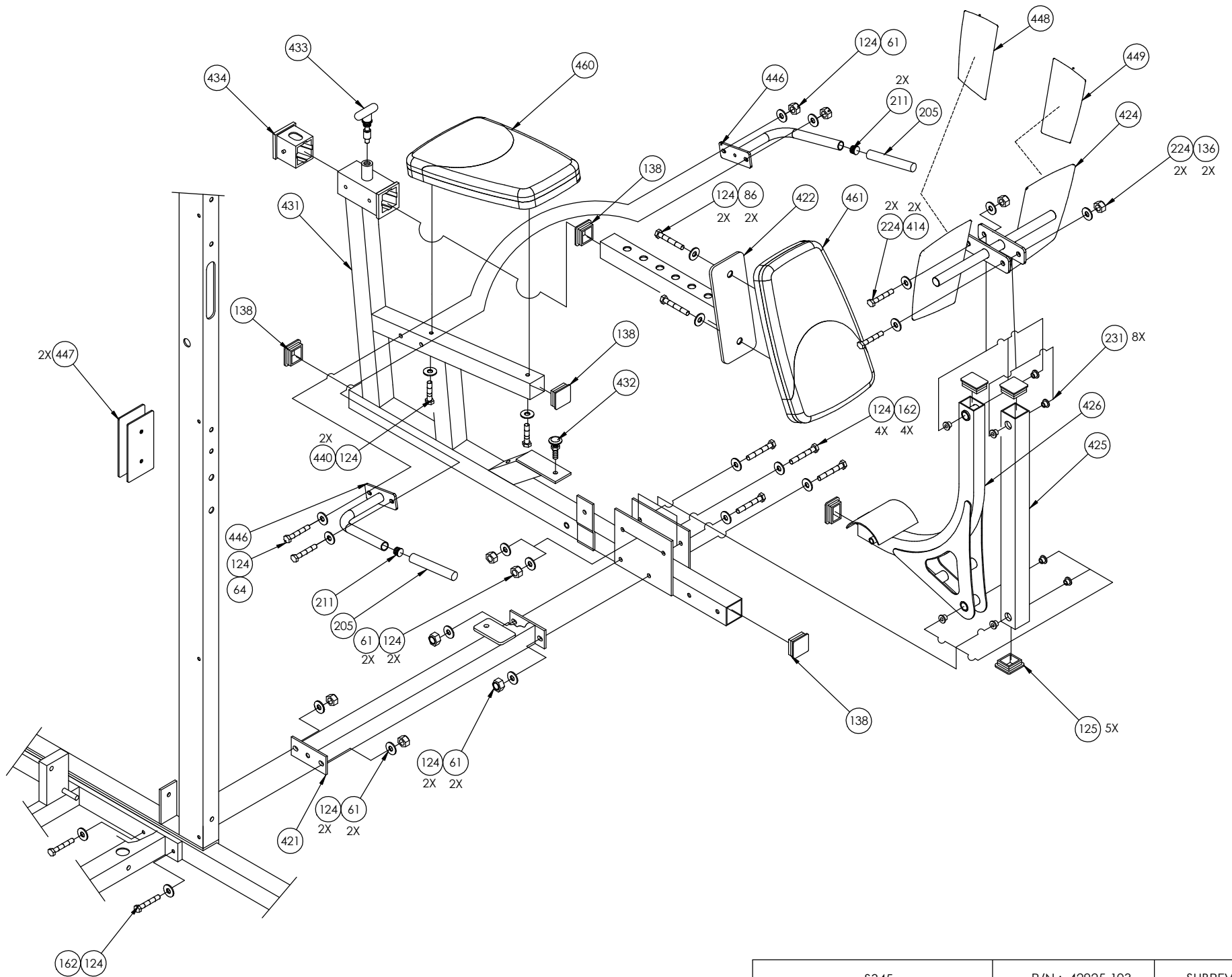
S345	P/N : 42925-103	SUBREV : K
DRAWN BY : C THOMSON	DATE : 02 APR 2012	SHEET 11 OF 14



S345	P/N : 42925-103	SUBREV : K
DRAWN BY : C THOMSON	DATE : 02 APR 2012	SHEET 12 OF 14



S345	P/N : 42925-103	SUBREV : K
DRAWN BY : C THOMSON	DATE : 02 APR 2012	SHEET 13 OF 14



S345	P/N : 42925-103	SUBREV : K
DRAWN BY : C THOMSON	DATE : 02 APR 2012	SHEET 14 OF 14